

PE-A6/4 - PE-A7/5

Material: label-holder: transparent polycarbonate
label: white cardboard (150 g/m²)

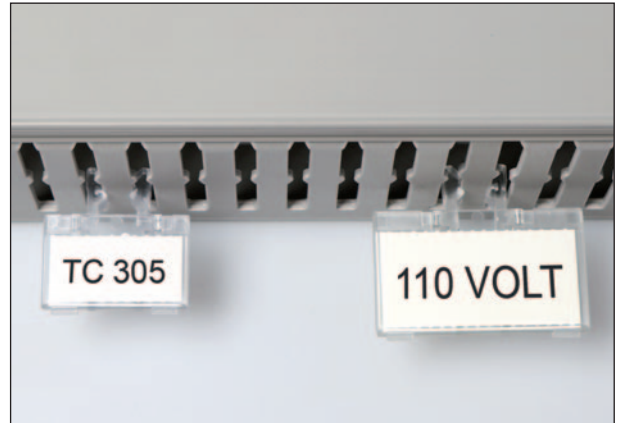
Operating temperatures: -40 to +120°C

Marking: by hand or by printer

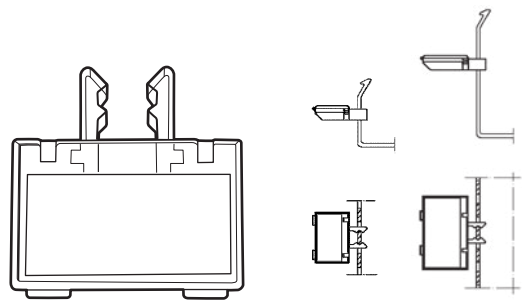
Application: to identify cable outlets.



PLIO label holders are clipped onto the lateral slots of the trunking.
Their one-piece design, with integrated locking cover, ensures that the labels to be marked are held and protected against external aggression.



| тип | № изд. | размеры этикетки, мм | |
|--|---------------|----------------------|----|
| Держатель этикетки PE для кабельных каналов серии GN-A6/4 | | | |
| PE-A6/4 26 | 0845 0912 018 | 25,5 x 13 | 50 |
| PE-A6/4 38 | 0845 0913 018 | 38,0 x 19 | 50 |
| Держатель этикетки PE для кабельных каналов серии GF-DIN-A7/5 | | | |
| PE-DIN-A7/5 26 | 0845 0910 018 | 25,5 x 13 | 50 |
| PE-DIN-A7/5 38 | 0845 0911 018 | 38,0 x 19 | 50 |



PLIO-15 - PLIO-30

Material: base Rigid PVC
lid Rigid PVC transparent
label white cardboard thickness 0,8 mm

Colour of the base: grey (RAL 7030) - white (RAL 9010)

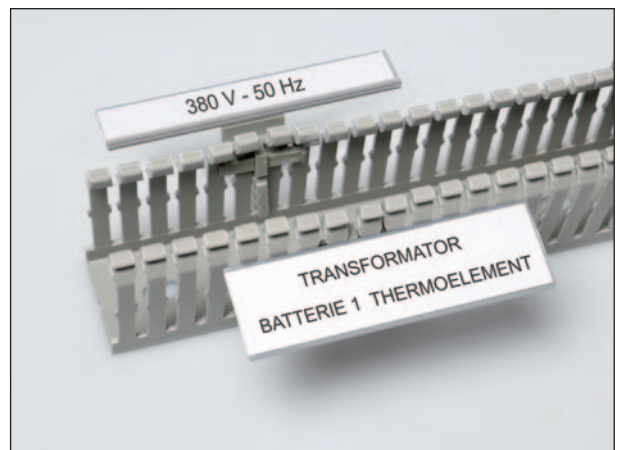
Operating temperatures: -5 to +65°C

Packaging: 20 lengths of 1 meter

Application: to identify cable outlets or other elements.

Fixing: PES supports

Application: PLIO-15 and PLIO-30 label holders are used for marking trunkings wire outlets with side slots in combination with PES supports.



| type | article number | | length mm | width of the lid A (mm) | width label (mm) | height B (mm) | |
|---|----------------|---------------|-----------|-------------------------|------------------|---------------|----|
| | grey | white | | | | | |
| Профиль PLIO | | | | | | | |
| PLIO-15 | 0129 0010 000 | 0129 0010 082 | 1000 | 16 | 14 | 5,3 | 20 |
| PLIO-30 | 0129 0020 000 | 0129 0020 082 | 1000 | 31,5 | 29 | 5,6 | 20 |
| Держатель для профилей PLIO-15 и PLIO-30 | | | | | | | |
| PES | 08450 920 013 | | | | | | 25 |

